

EX Components - Silver Bezel Installation Instructions

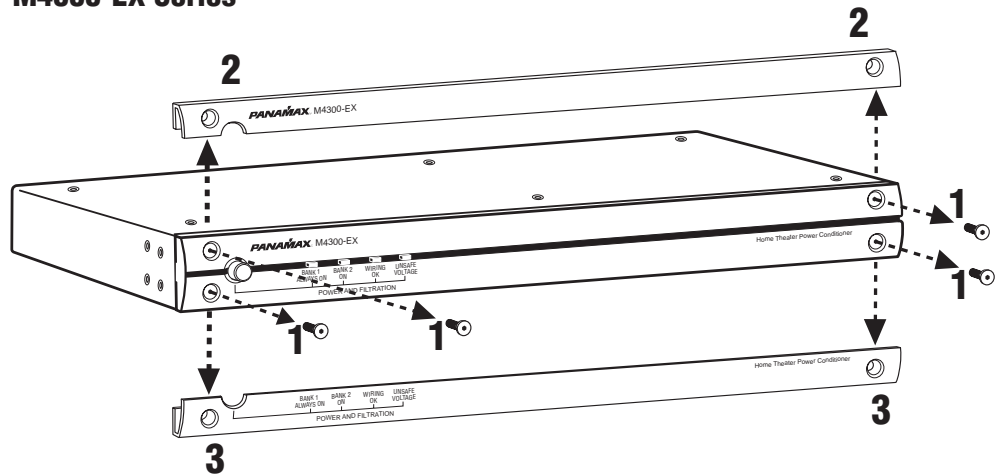
Replacing the front bezel on Panamax EX Component products

- ***If the unit is not already unplugged, do so now!***
- ***Installing a new bezel can cause the indicator LEDs to be pushed into the unit if the installation is not done carefully!***

The “EX” component family has a four piece bezel assembly consisting of upper and lower extruded aluminum bezels and 2 plastic end caps.

BEZEL REMOVAL

M4000-EX Series

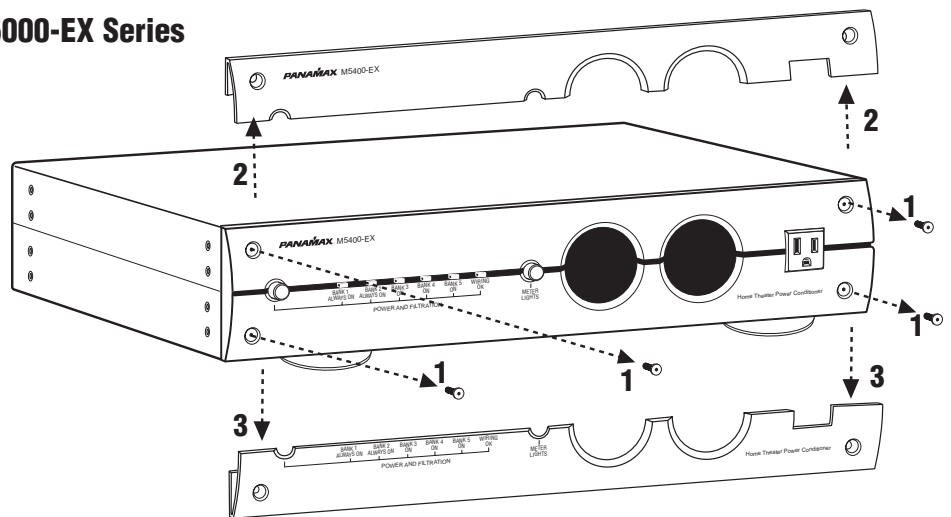


1. Use the 3mm hex wrench (included) to remove the 4 flat head Allen screws in the corners of the bezel.

2. Using both hands, carefully remove the upper section of the black bezel by pulling it up and away from the unit at a 90° angle. See illustration.

3. Remove the lower portion of the black bezel in the same way.

M5000-EX Series



BEZEL INSTALLATION

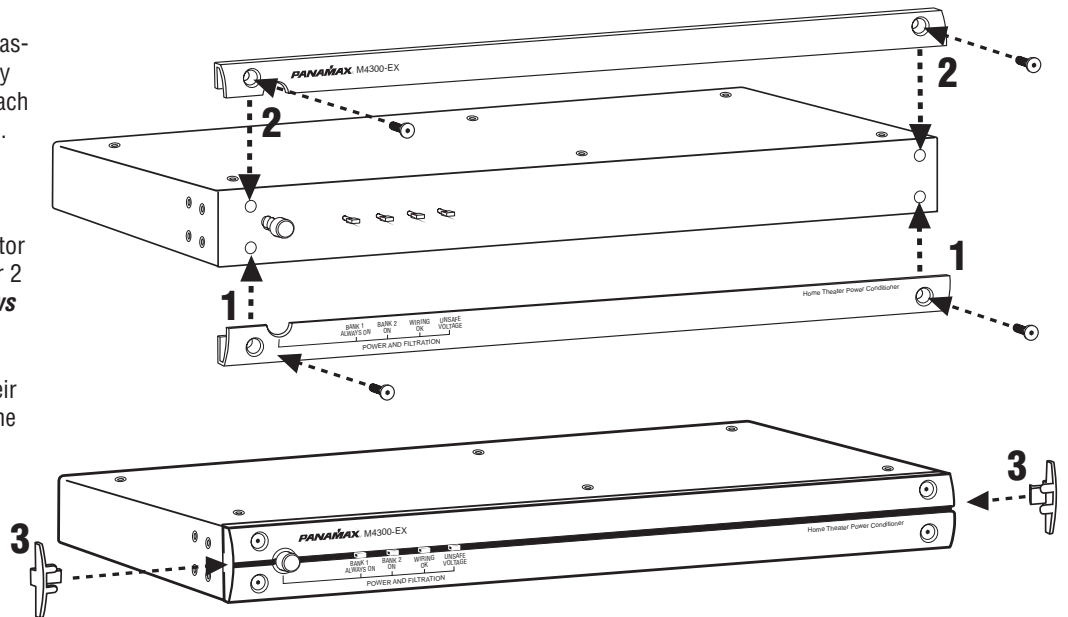
M4000-EX Series

1. Align the new lower bezel with the chassis (the indicator LEDs should be directly above the top edge of the bezel) and attach it loosely with the flat head Allen screws. **Do not tighten the screws at this time.**

2. Align the new upper bezel so that its bottom edge is directly above the indicator LEDs and attach it loosely with the other 2 Allen screws. **Do not tighten the screws at this time.**

3. Insert the plastic end caps so that their outer surface is flush with the edge of the bezel.

4. Verify the proper alignment of the upper and lower bezels with the end caps and tighten the Allen screws so that the bezel is securely held in place. **Do not over tighten the screws!**



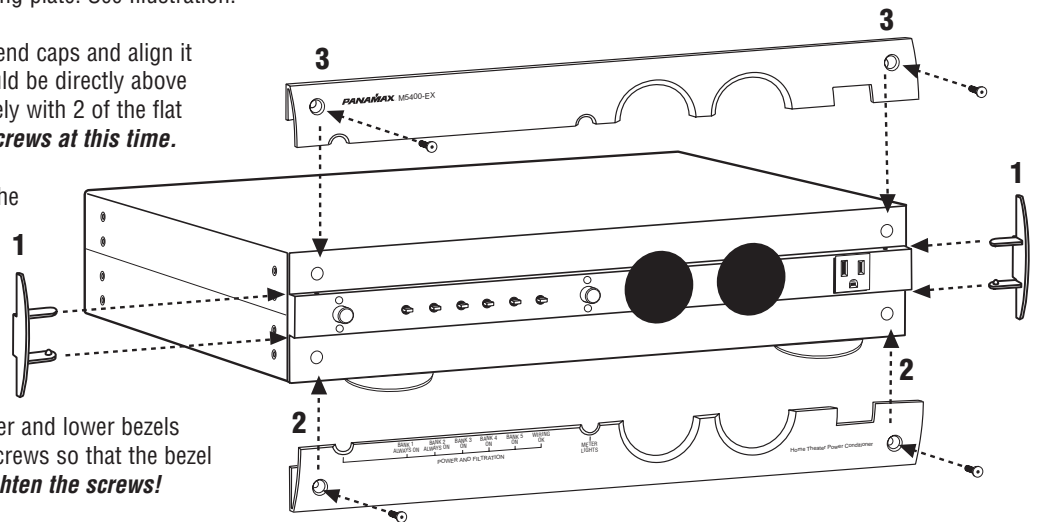
M5000-EX Series

1. Attach the end caps to the bezel backing plate. See Illustration.

2. Slide the new lower bezel up over the end caps and align it with the chassis (the indicator LEDs should be directly above the top edge of the bezel). Attach it loosely with 2 of the flat head Allen screws. **Do not tighten the screws at this time.**

3. Slide the new upper bezel down over the end caps and align it with the chassis (the indicator LEDs should be directly below the bottom edge of the bezel). Attach it loosely with 2 of the flat head Allen screws. **Do not tighten the screws at this time.**

4. Verify the proper alignment of the upper and lower bezels with the end caps and tighten the Allen screws so that the bezel is securely held in place. **Do not over tighten the screws!**



Please contact Panamax Customer Support at 800-472-5555 or CustomerSupport@Panamax.com if you have any questions.

The Power Specialists Since 1975
PANAMAX

1690 Corporate Circle
Petaluma, CA 94954