

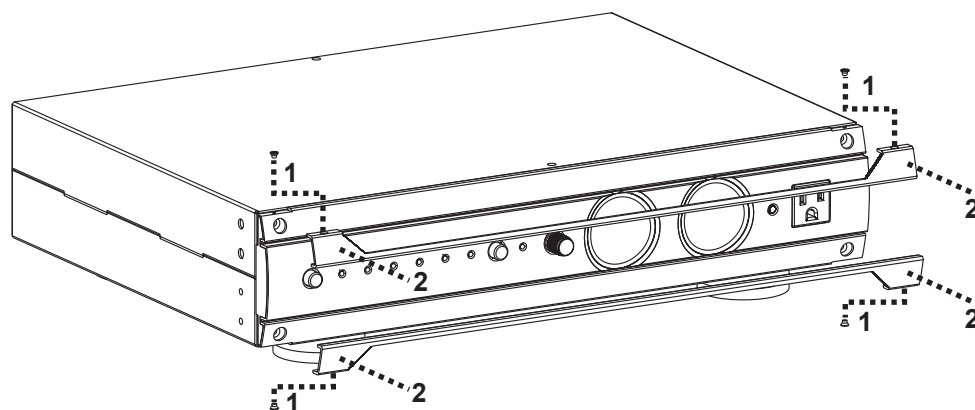
# M7500 PRO Bezel Removal and Replacement Instructions

• If the unit is not already unplugged, **DO SO NOW!**

The M7500 PRO has a 5 piece bezel set; a main aluminum bezel, two aluminum trim pieces (upper and lower) and two plastic end caps.

## Bezel Removal

1. Use a small Phillips screwdriver to remove the four screws located on the trim pieces.

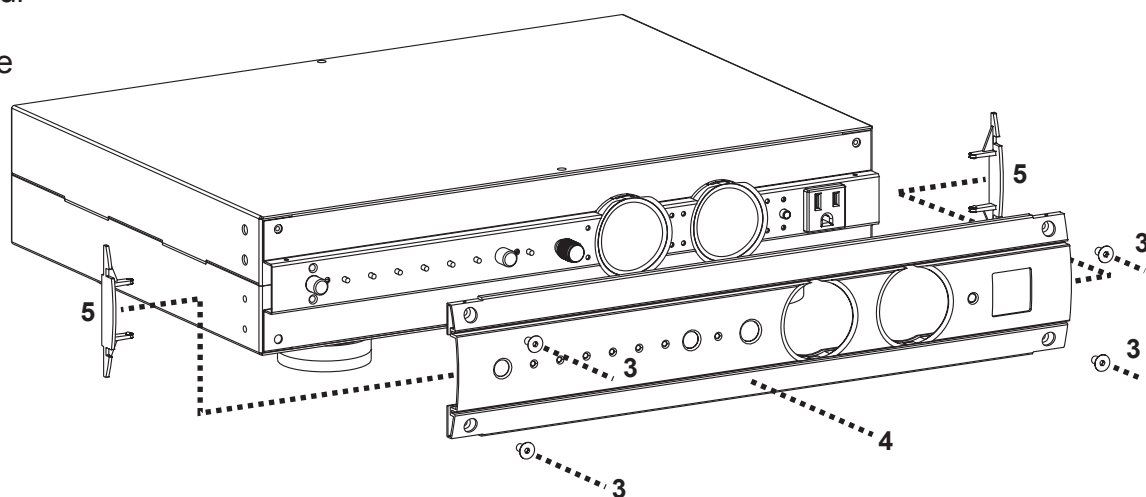


2. CAREFULLY remove the trim pieces by pulling them straight forward.

3. Use the 3mm hex wrench (included) to remove the four flat head Allen screws located in the corners of the main bezel.

4. Using both hands, carefully remove the main bezel by pulling it straight forward.

5. Remove the plastic end caps by pulling them out of the main bezel.



## Bezel Replacement

To replace the original bezel, simply follow the instructions above in reverse:

1. Place the plastic end caps into the main bezel.

2. Carefully place the main bezel onto the front of the unit making sure not to push the LED's into the unit.

3. Insert and tighten the four flat head Allen screws using the 3mm hex wrench (included).

4. CAREFULLY slide the trim pieces into the main bezel making sure not to bend the trim pieces.

5. Insert and tighten the four screws using a small Phillips screwdriver.