

## MIW-POWERKIT-PRO SPECIFICATIONS

AC Circuit  
 AC Outlets, Total: .....2  
 Line Voltage: .....120V, 60Hz  
 Total Current Capacity: .....15A

AC Power Cord  
 Length: .....8 feet  
 Connectors: .....NEMA 5-15

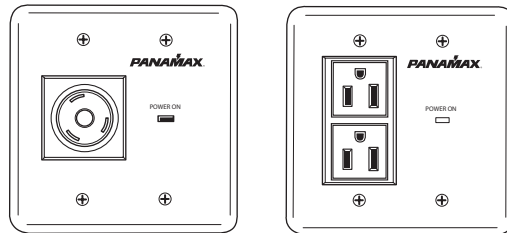
Power Inlet Faceplate  
 AC Connector: .....NEMA ML-2P  
 Signal Line Protection: Not Included / Modules Sold Separately

Power Outlet Faceplate  
 AC Connectors: .....2 NEMA 5-15  
 Noise Filtration: .....Level 1  
 Signal Line Protection: Not Included / Modules Sold Separately

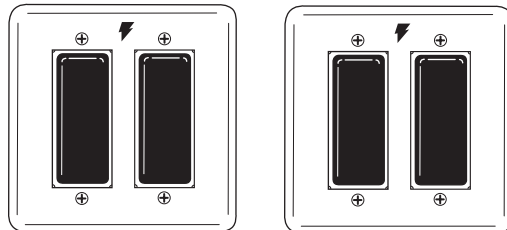
Specifications are subject to changes due to product upgrades and improvements.

## CONTENTS

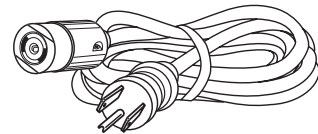
One each  
 MAX In-Wall  
 power inlet  
 and outlet  
 enclosure



Two MAX In-Wall  
 signal bay  
 enclosures



One twistlock  
 power cord



Included Installation Accessories:

- (6) Wire Nuts
- (16) Mounting Screws
- (2) Mounting Brackets

## CONTACTING PANAMAX

Panamax  
 1690 Corporate Circle  
 Petaluma, CA 94954  
 Phone - 707-283-5900 or 800-472-5555  
 Fax - 707-283-5901  
 Web - www.panamax.com

Customer Relations  
 7:30 AM – 4:30 PM, M-F, Pacific Time  
 Email - custrelations@panamax.com

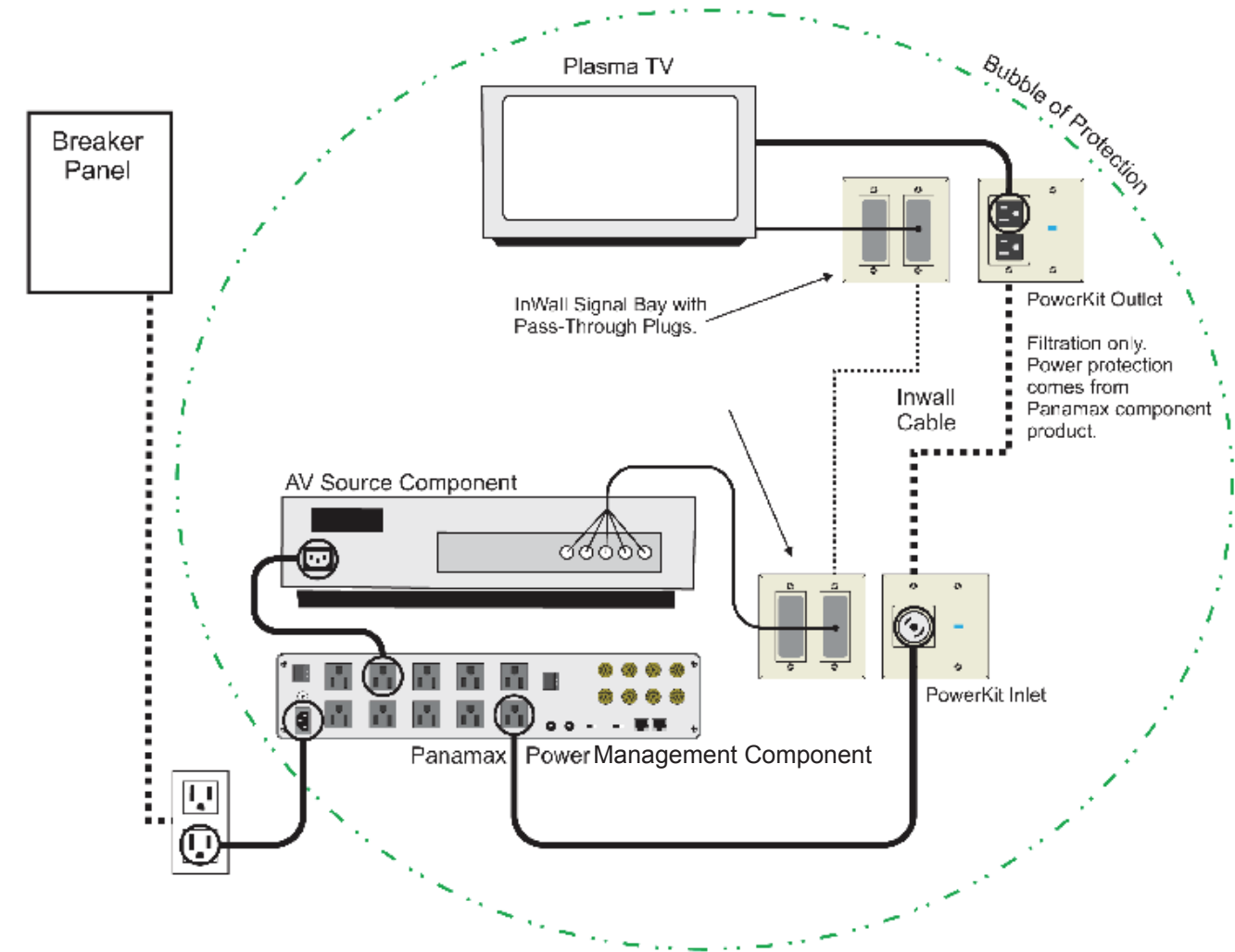


## PANAMAX MIW-POWERKIT-PRO INSTALLATION INSTRUCTIONS

Features of the MIW-POWERKIT-PRO:

- Provides Noise-Free AC Power to remote plasma screens, LCD's, projectors, etc. when used with Panamax power management components.
- Includes CSA-Certified components for code-compliant installations.
- Accommodates optional signal line modules for a professional finish.
- Additional EMI/RFI noise filtration built into outlet receptacles.
- 3 Year product warranty

## Recommended installation configuration



INS00810 REV A 03/07