

PANAMAX MAX IN-WALL DUAL SIGNAL BAY INSTALLATION INSTRUCTIONS

STEP 1:

Select a location close to the equipment. In the case of a flat panel display, the recommended location is one that is behind the device and hidden from view once the Plasma TV is mounted. Cut a 4" wide by 3 3/4" high hole in the wall for the mounting bracket.

STEP 2:

Run the signal line(s) through the mounting bracket. Install the mounting bracket in the hole.

STEP 3:

Remove the rubber plug from one of the Signal Bay Pass-Throughs. Cut a hole in the rubber plug so that it fits snugly around the signal line. Pass the signal line through the Signal Bay Pass-Throughs, place the rubber plug over the signal line, and put the rubber plug back in place.

STEP 4:

Install the Max In-Wall Dual Signal Bay into the mounting bracket and secure with the included screws.

STEP 5:

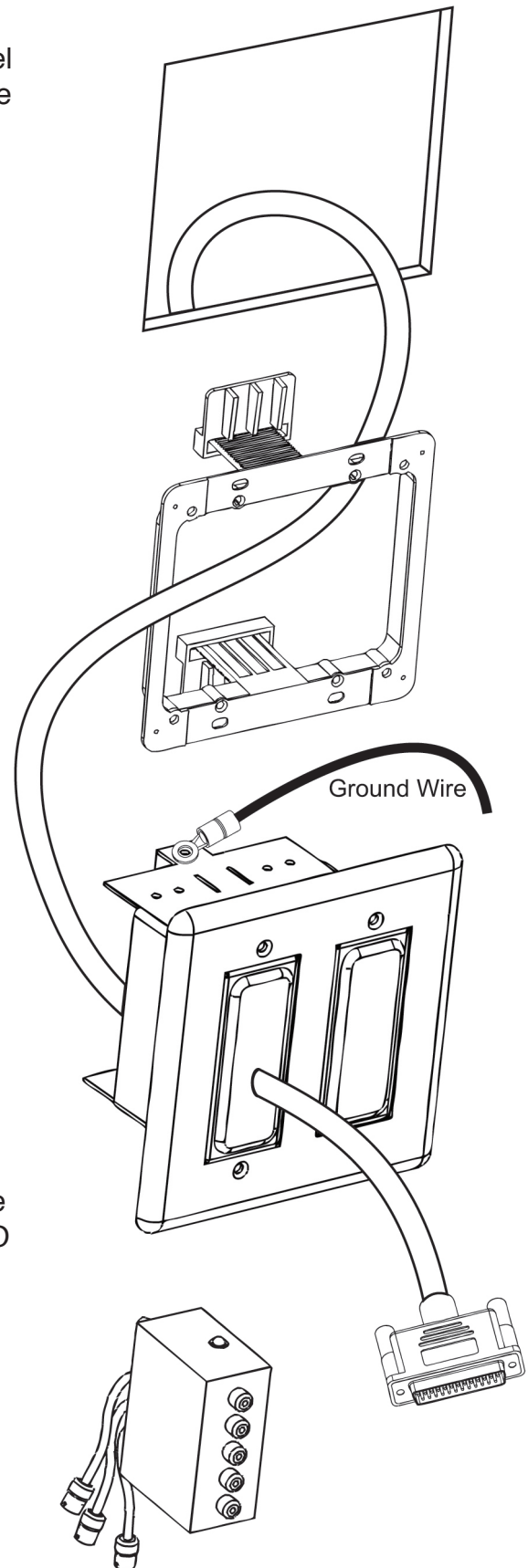
Repeat steps 1-4 for the Dual Signal Bay located at the source components.

NOTE:

In order for the signal protection modules to protect against surges, the ground wire on the Max In-Wall Signal Bay may be connected to the ground wire on the Max In-Wall Power-PRO that is installed nearby (less than 1 foot away). Simply connect it with the same wire nut that is used to connect the Max In-Wall Power-PRO to the building wire.

Signal Protection Module Usage:

Panamax In-Wall signal protection modules (sold separately), while not necessary for surge protection in the Max In-Wall Dual Signal Bay, may be used to provide a clean looking interface for the signal lines. When used in the proper manner the modules also provide total protection to the connected equipment.



MAX IN-WALL DUAL SIGNAL BAY SPECIFICATIONS

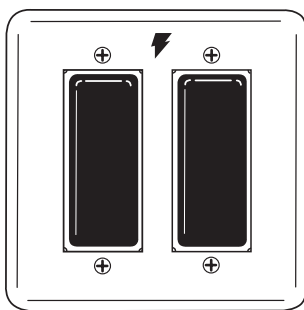
Summary of Features

- Accommodates two blank module inserts with pass-through plugs (included) or two InWall signal protection modules (sold separately).
- Full metal housing
- Enlarged faceplates (4.5" x 4.5") to accommodate oversize wall cutouts.
- Fits into many two-gang outlet brackets (old-work, low-voltage, Caddy-brand outlet bracket (model MPAL2) included).
- 14 AWG, solid wire connection for bonding / grounding to In-Wall AC units.
- Provides an elegant, convenient solution for connecting signal lines from the source device to the display device when running cables within the building walls.

Specifications are subject to changes due to product upgrades and improvements.

CONTENTS

One MAX In-Wall
signal bay enclosure



Included Installation Accessories:

- (4) Mounting Screws
- (1) Mounting Bracket

CONTACTING PANAMAX

Panamax
1690 Corporate Circle
Petaluma, CA 94954
Phone - 707-283-5900 or 800-472-5555
Fax - 707-283-5901
Web - www.panamax.com

Customer Relations
7:30 AM – 4:30 PM, M-F Pacific Time
Email - custrelations@panamax.com

PANAMAX