

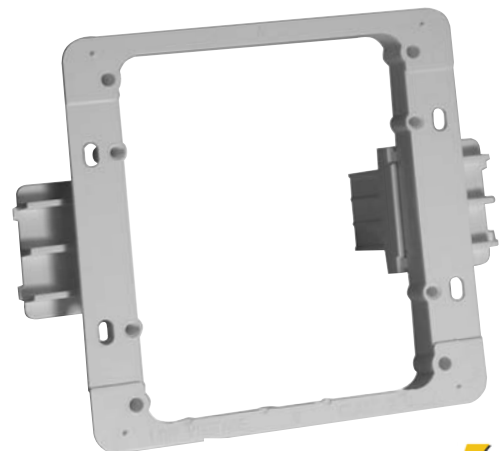
LOOKING FOR **CRYSTAL CLEAR** PICTURE AND SOUND?



## **MAX<sup>®</sup> IN-WALL DUAL SIGNAL BAY**

### **IN-WALL SIGNAL LINE MANAGEMENT**

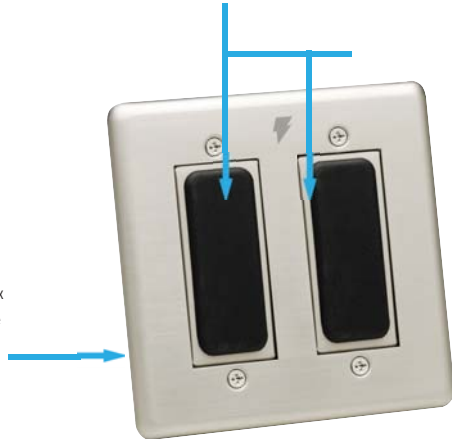
- MIW-DUAL SIGNAL BAY provides a discreet and code compliant solution for a professional home theater installation.
- 3 Year Product Warranty.
- May be used in conjunction with MIW-POWER-PRO and signal line modules (sold separately).
- Accommodates two blank module inserts with pass-through plugs (included) or two In-Wall protection modules (sold separately).
- Full metal housing.
- Enlarged faceplates (4.5" x 4.5") to accommodate oversize wall cutouts.
- Fits into many two-gang outlet brackets (old-work, low-voltage, Caddy-brand outlet bracket model MPAL2 included).
- 14 AWG, solid wire connection for bonding / grounding to In-Wall AC units.
- Provides an elegant, convenient solution for connecting signal lines from the source device to the display device when running cables within the building walls.



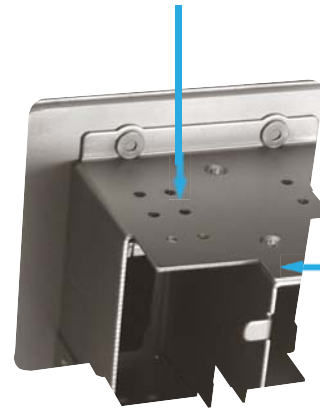
# MAX® IN-WALL DUAL SIGNAL BAY FEATURES

**2. Signal Bay Pass-Throughs**  
Accommodates two blank module inserts with pass-through plugs (included) or two In-Wall protection modules (sold separately).

**1. Enlarged Faceplates (4.5" x 4.5")** to accommodate oversize wall cutouts



**3. Full Metal Housing.**



**4. Grounding Lug**  
14 AWG, solid wire connection for bonding / grounding to In-Wall AC units.

May be used in conjunction with **MIW-POWER-PRO** or **MIW-POWER-AV** (sold separately)

**MIW-DUAL SIGNAL BAY**  
Signal lines may be routed through pass-throughs or by cutting slits in the included rubber plugs.

**MIW-POWER-PRO** or **MIW-POWER-AV** (sold separately)

- May be used with available signal-line modules. (Sold Separately)

**MIW-5RCA**      **MIW-VGA**      **MIW-SVIDEO**      **MIW-DATA**

Contact your local Panamax dealer for available modules.

Design and specifications subject to change without notice due to product improvement.

## UPC'S, QUANTITIES, WEIGHTS & MEASUREMENTS FOR ORDERING & SHIPPING

MODEL MIW-DUAL SIGNAL BAY		UNIT CARTON			MASTER CARTON			
Dimensions	Weight	Dimensions	Weight	UPC	Qty	Dimensions	Weight	UPC
4.5" W x 3" D x 4.5"H	1.5 lbs	5" x 3.5" x 5"	1.5 lbs	0 50616 00811 2	8	14.5" x 10.5" x 6"	11 lbs.	5 00 50616 00811 7



1690 Corporate Circle, Petaluma, CA. 94954 800-472-5555 or 707-283-5900 Fax 707-283-5901 www.panamax.com

© 2007 Panamax, Inc. Panamax, MAX, and the Panamax logo are registered US trademarks of Panamax

L585 REV B 5/07